

Waterco pool pumps

Aquamite, Supastream, Supatuf



Aquamite

The Aquamite is an ideal pump for swimming pools and small recirculation systems including ponds and small water features.

Supastream

Supastream pumps are general purpose units designed for use in swimming pools and low pressure water recirculation applications

Supatuf

The Supatuf pump is ideal for large domestic swimming pools with ancillary systems such as heating, in-floor cleaning, fountains, vacuum cleaning and swim jets.



WATERCO

Water, the liquid of life

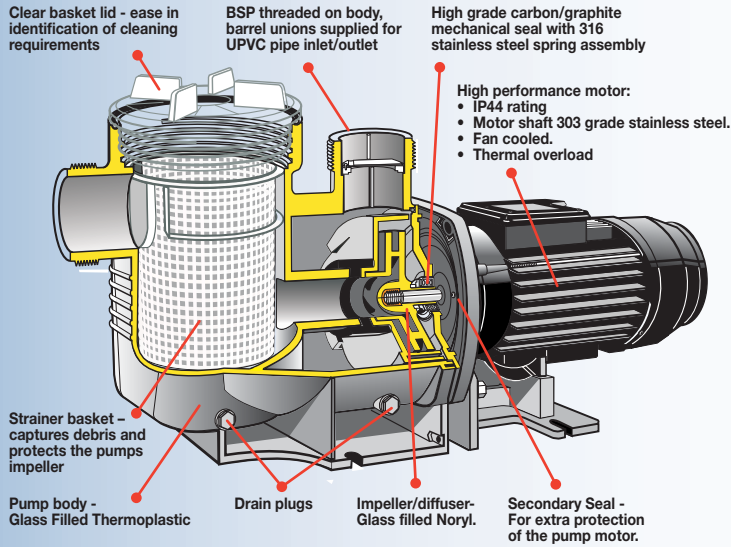
www.waterco.com

Efficient Impeller and Diffuser Design

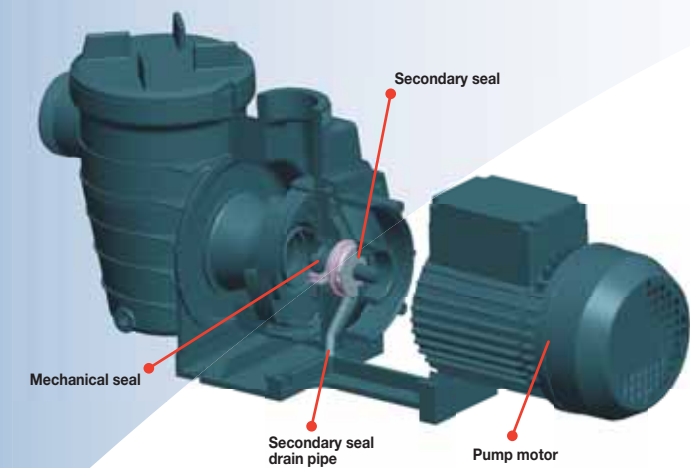
The pump's impeller and diffuser design maximizes the hydraulic output of the pump while minimizing turbulence. The pump's efficient hydraulic performance shortens run times and reduces energy consumption leading to lower operating costs.

Engineered Durability

The pump body is manufactured utilising state of the art engineering plastic moulding with a single piece strainer pot and volute for extra strength.



Waterco's Secondary Seal



Situated between the pump wet end & the pump motor, a mechanical seal forms a seal around the motor shaft to prevent water from running out along the shaft of a motor. The mechanical seal is the wearing part of any pool pump.

A mechanical seal may leak water if the pump is ever run dry or simply be worn out. If a leaky mechanical seal is not replaced promptly, water will travel up the shaft of the motor and ruin the motor in a very short period of time.

Waterco's Pump Secondary Seal protects the pump motor end shield from any water contact, by capturing any leaks through a worn out mechanical seal and draining it out of the pump.

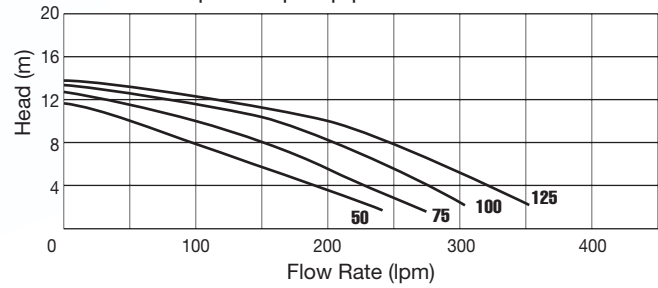
Aquamite

The Aquamite is an ideal pump for swimming pools and small recirculation systems including ponds and small water features.



Pump	Inlet / outlet	Strainer basket size
Aquamite	40mm	0.9

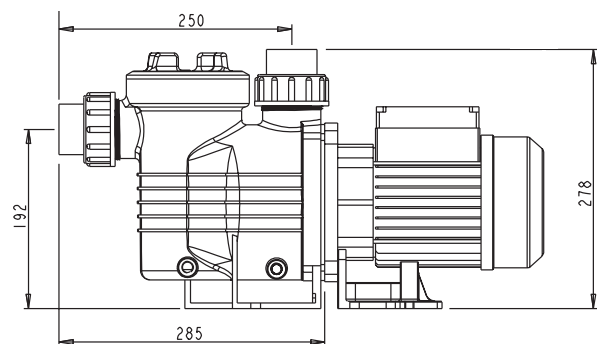
Aquamite pump performance chart



Model No.	Nom. HP	kW	Amps	Total Length	Motor Frame
2402050	0.50	0.58	2.50	497	63
2402075	0.75	0.65	3.00	497	63
2402100	1.00	0.76	3.33	497	63
2402125	1.25	0.88	3.90	497	63

Phase	Volts	Cycle	Rpm
1	220-240	50	2860

TOTAL LENGTH



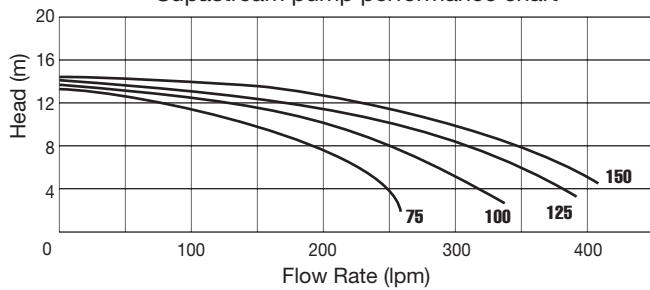
Supastream

Supastream pumps are general purpose units designed for use in swimming pools and low pressure water re-circulation applications



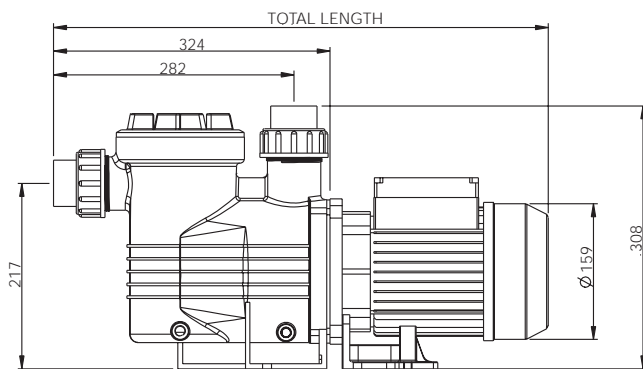
Pump	Inlet / outlet	Strainer basket size
Supastream	40mm	1.5

Supastream pump performance chart



Model No.	Nom. HP	kW	Amps	Total Length	Motor Frame
2403075	0.75	0.61	2.80	536	63
24030100	1.00	0.82	3.60	559	71
24030125	1.25	0.88	3.90	559	71
24030150	1.50	1.09	4.90	580	83

Phase	Volts	Cycle	Rpm
1	220-240	50	2860



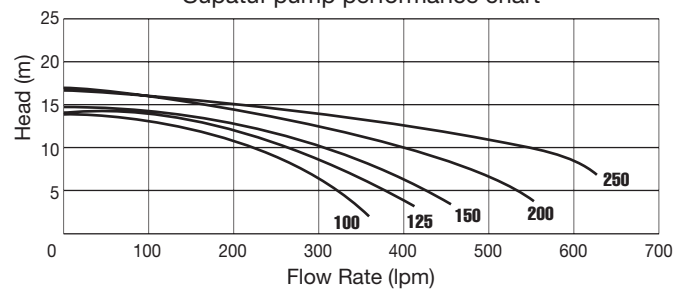
Supatuf

The Supatuf pump is ideal for large domestic swimming pools with ancillary systems such as heating, in-floor cleaning, fountains, vacuum cleaning and swim jets.



Pump	Inlet / outlet	Strainer basket size
Supatuf	50mm	2.1

Supatuf pump performance chart



Model No.	Nom. HP	kW	Amps	Total Length	Motor Frame
241100	1.00	0.84	3.70	587	71
241125	1.25	0.96	4.20	587	71
241150	1.50	1.15	5.30	608	80
241200	2.00	1.50	7.20	629	80
241250	2.50	1.81	8.50	653	90

Phase	Volts	Cycle	Rpm
1	220-240	50	2860

