

# CENTURION

THE AUTOMATIC CHOICE

## SLC-1000A10

# ประตูอัตโนมัติ



### Nova Remote



### FEATURES

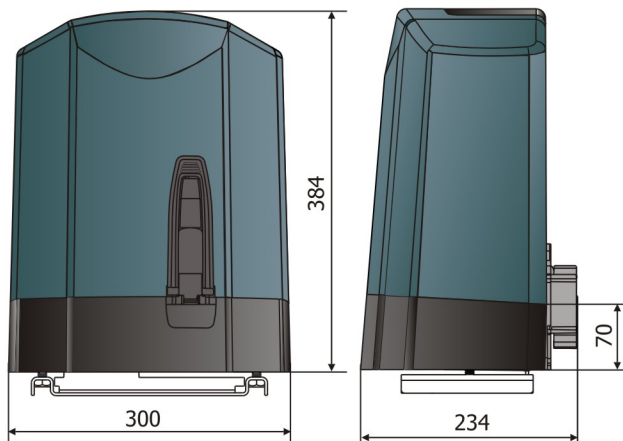
- ✍ Gearbox height adjustment of 10mm using convenient jacking bolts
- ✍ Forwards and backwards position adjustment of 30mm
- ✍ Unimpeded access to mounting bolts when lockable cover is removed
- ✍ Dedicated cable entry point allows easy removal of gearbox for maintenance
- ✍ Logic controller and power inverter housed inside protected plastic enclosures under the main cover
- ✍ Flap out logic controller tray for easy commissioning
- ✍ Convenient plug in connectors for both logic controller and power inverter
- ✍ Lockable manual override prevents removal of cover
- ✍ Jam free manual release operation
- ✍ Multiple programme modes: standard, reversing, condominium, PIRAC
- ✍ Selectable automatic closing with pushbutton override (adjustable time)
- ✍ Adjustable speed modes from 16 to 30m/min. Open and closing speed can be programmed independently. (gate mass limited, refer to specifications below)

### Optional Auxiliaries

- ✍ Pedestrian opening (adjustable opening and auto-close time)
- ✍ Remote gate status indicator (gate position, multiple collision detection, over temperature and light status)
- ✍ Courtesy / Pillar light timer with multi mode pre-flashing option (adjustable time Safety beam input)

SPECIFICATIONS	A10 BASIC	
Power Supply	220V +/- 10%, 50Hz - 1 Phase <sup>1</sup>	
Maximum Absorbed Current	6A	
Motor Voltage	220V 3 Phase	
Output Pinion	20 Tooth Mod 4	
Starting Thrust	40kgF	40kgF
Rated Thrust	30kgF	30kgF
Operating Speed @ Rated Thrust	16m/min	Adj. Up to 30m/min <sup>3</sup>
Motor Cooling	Direct Drive Fan (1400RPM)	
Duty Cycle (continuous) <sup>2</sup>	50%	
Duty Cycle (one Hr endurance) <sup>2</sup>	80%	
Ambient Temperature Range	-20°C to +50°C	
Anti-crushing sensing	Electronic	
Motor Thermal Protection	Electronic	
Maximum Gate length	20m	
IP Rating	44	
Optional Battery Back-up	Yes	
Shipping Mass of Unit	16kg	
Maximum Gate Mass	1 000kg	600kg

### OVERALL DIMENSIONS



(1) 110V 60Hz Available to order. (2) At rated pull and 25 °C maximum ambient temperature. (3) Dependent on pull force.