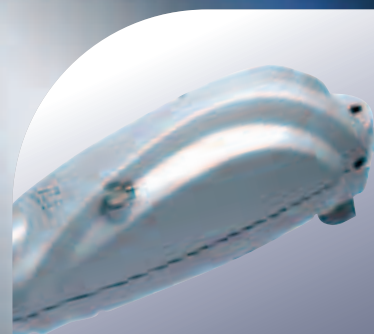




DEA®



SWING



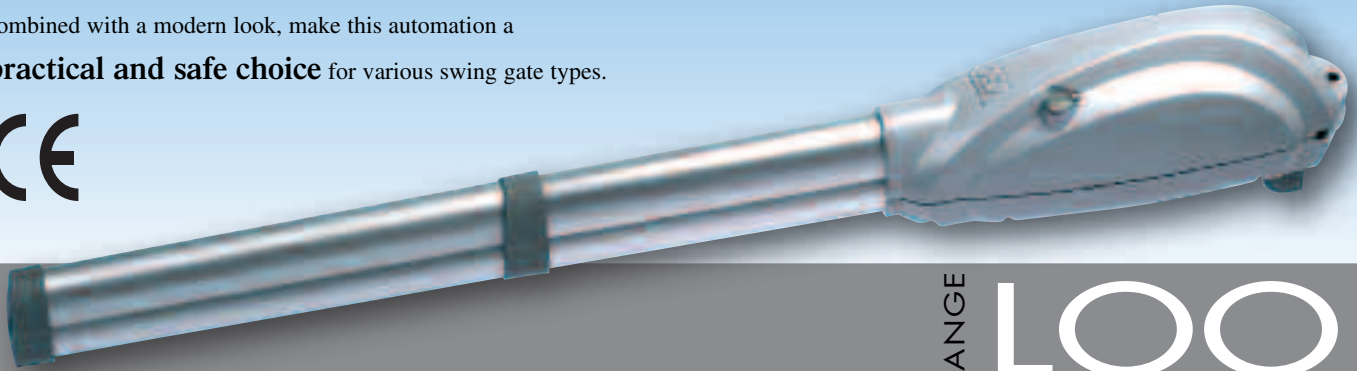
LOOK

Electromechanical linear ram for swing gates



LOOK is the new telescopic electromechanical ram for leafs up to 2,5 m or 3,8 m long.

Reliability, strength and functionality, combined with a modern look, make this automation a **practical and safe choice** for various swing gate types.



RANGE **LOOK**

For leafs up to 2,5 m

- LOOK 350:** operator stroke 320mm, 230V ac, without rod cover.
- LOOK 351:** operator stroke 320mm, 230V ac, with rod cover.
- LOOK 352:** operator stroke 320mm, 230V ac, with rod cover and limit switches in open and close.
- LOOK 353:** operator stroke 320mm, 230V ac, with rod cover. Not self-locking.
- LOOK 354:** operator stroke 320mm, 230V ac, with rod cover and limit switches in open and close. Not self-locking.
- LOOK 351EN:** operator stroke 320, 230V ac, with rod cover, encoder and 1 mt. power supply cable

For leafs up to 3,8 m

- LOOK 355:** operator stroke 520mm, 230V ac, with rod cover.
- LOOK 356:** operator stroke 520mm, 230V ac, with rod cover and limit switches in open and close.
- LOOK 357:** operator stroke 520mm, 230V ac, with rod cover. Not self-locking.
- LOOK 358:** operator stroke 520mm, 230V ac, with rod cover and limit switches in open and close. Not self-locking.
- LOOK 355EN:** operator stroke 520, 230V ac, with rod cover, encoder and 1 mt. power supply cable

For solutions in low voltage*

- LOOK 371:** operator stroke 320mm, 24V dc, with rod cover. For leafs up to 2,5 m.
- LOOK 372:** operator stroke 520mm, 24V dc, with rod cover and limit switches in open and close. For leafs up to 2,5 m.
- LOOK 373:** operator stroke 520mm, 24V dc, with rod cover. For leafs up to 3,8 m.
- LOOK 374:** operator stroke 520mm, 24V dc, rod cover and limit switches in open and close. For leafs up to 3,8 m.

**the automation in 24V DC enables programmable limit switches, final slow-down in opening / closing and reverser function on obstacle; moreover a battery backup system enables the operation in case of power failure.*

The DEA System control boards are planned to optimize the performances of LOOK range. It is suggested to use control boards with electronic force adjustment: 202RR/C and 212E/C (230V ac) or 224RR/C (24V dc).

The models

- Electromechanical automation, 230V ac and 24V dc.
- Available in 2 lengths, stroke 320 or 520 mm, for leafs up to 2,5 or 3,8 m long.
- Simple and safe manual unlocking device by special key.
- Limit switches in open and close, easy to adjust.
- Internal electrical terminals, to make easier and faster the wiring of motor and limit switches.
- Incorporated condenser.
- Rear fastening plate with several holes, for an easier fixing.



Rapid unlocking system.

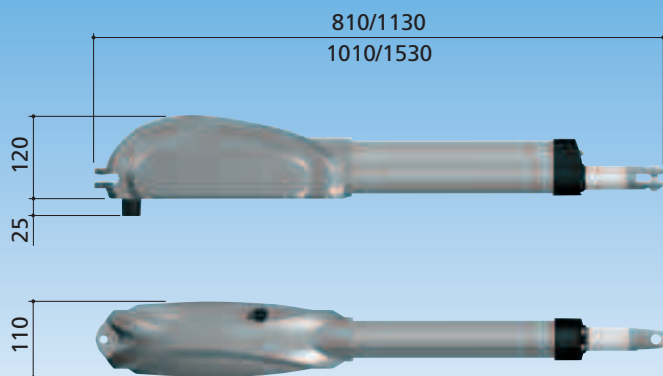


Internal terminal board for an easier connection of the operator and limit switches

KIT



IDEAKIT LOOK
Complete automation
with DEA original accessories.



Technical information

Model	350 - 351 - 352	353 - 354	355 - 356	357 - 358	371 - 372	373 - 374
Single phase power supply (50Hz)	230 V a.c.	230 V a.c.	230 V a.c.	230 V a.c.	24 V d.c.	24 V d.c.
Motor power supply (V)	230 V a.c.	230 V a.c.	230 V a.c.	230 V a.c.	24 V d.c.	24 V d.c.
Capacity (W)	300	300	300	300	60	60
Built-in capacitor (µF)	8	10	8	10	-	-
Duty cycle	40%	40%	40%	40%	40%	60%
Max thrust (N)	1650	1200	1650	1200	1000	1000
Speed (mm)	320	320	520	520	320	520
Rod exit speed (cm/sec)	1,6	2,0	1,6	2,0	1,75	1,75
Weight with packing (Kg)	9	9	9,5	9,5	9	9
Working limit temperature (°C)	-20 ÷ 40	-20 ÷ 40	-20 ÷ 40	-20 ÷ 40	-20 ÷ 40	-20 ÷ 40
Protection degree	IP 34	IP 34	IP 34	IP 34	IP 34	IP 34

www.deasystem.com