

Micron Hi-Rate Sand Filter

WATERCO
Water, the Liquid of Life

The ultimate in pool water clarity



Sand Filtration

The oldest and most popular method of filtration is sand. It operates on the basis of "depth filtration"; dirt is driven through the sand bed and trapped in minute spaces between the particles of sand. Initially, a clean bed will remove larger particles and then as the sand bed starts to load up, it will remove finer particles.

Minimal Maintenance

Micron sand filters utilise a Multiport valve to control the flow of water within the filter vessel.

Cleansing the filter simply requires turning the Multiport lever from the "filter" position to the "backwash" position.

The flow of water is then reversed through the sand bed, flushing the trapped particles to the drain.

Micron Hi-Rate Sand Filter

Waterco fibreglass filters embody the latest in fibreglass winding technology. Waterco's digitally controlled filament winding machine faultlessly winds continuous strands of fibreglass filament to create a filter vessel with refined consistency and superior quality. The use of corrosion-resistant, abrasion proof and state-of-the-art fabrication techniques has produced a filter that is able to stand up to environmental extremes.

Proven Durability

Waterco fibreglass filters are perfectly suited to the constant increases and decreases in pressure experienced by sand filters. Accelerated cyclic testing has shown that even after simulating 20 years of use, Waterco fibreglass filters withstood cyclic wear and tear better than most other filters in its class.

Warranty

Waterco shows its ultimate confidence in its range of Micron Top Mount S Filters by offering a 10-year* tank warranty and 1 year warranty on all other components.

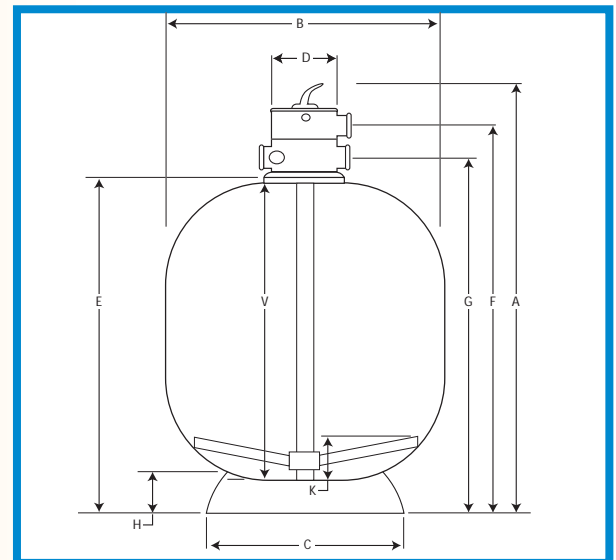
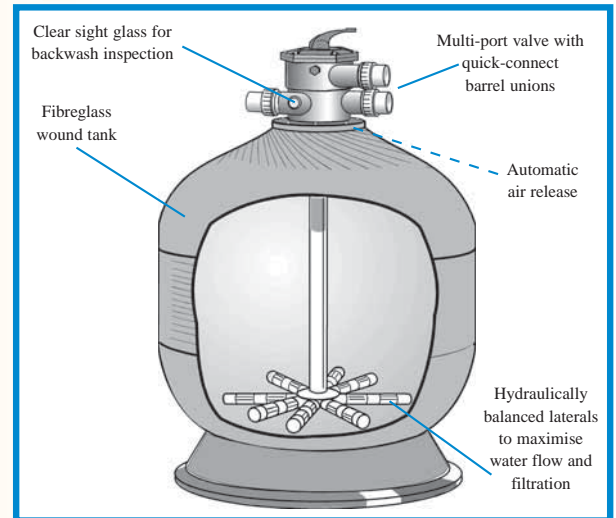
* Commercial applications attract a 5-year (1 year full plus 4 years pro rata) tank warranty.

Technical Data

Model No.	Inner Diameter (mm)	Bed Depth (mm)	Valve Size (mm)	Filter Area (m ²)	Media Volume (litre)	Sand 16/30 (kg)	Zeoplus (kg)	Residential		Commercial	
								Max. Flow (lpm)	Max. Pool Size (litres)	Max. Flow (lpm)	Max. Pool Size (litres)
S500	500	280	40	0.20	62	90	68	157	56,500	118	28,300
S600	600	295	40	0.29	102	148	112	226	81,400	170	40,800
S700	700	330	40	0.40	148	216	163	308	110,800	231	55,400
S702	700	340	50	0.40	146	212	160	308	110,800	231	55,400
S750	750	340	50	0.46	167	243	183	353	127,200	265	63,600
S800	800	420	50	0.50	219	319	241	402	144,700	302	72,500
S900	900	420	50	0.64	302	441	333	509	183,200	382	91,700
S1000	1000	480	50	0.79	412	601	453	471	183,600	471	113,000
S1050	1050	490	50/65	0.87	450	656	495	520*	183,600	510*	122,400
S1200	1200	515	65/80	1.13	590	861	649	679	325,700	679	163,000

*S1000, S1050 and S1200 are designed for commercial pool usage.
Residential 48m³/hr/m² Commercial 36m³/hr/m².

*Flow rate is limited by the port size, max flow for 50mm is 510 lpm



Filter Dimensions (mm)

Model	A	B	C	D	E	F	G	H	V	K
S500	864	505	443	180	625	731	672	69	525	94
S600	968	622	540	180	721	832	778	88	620	136
S700	932	723	620	180	692	801	743	90	650	139
S702	992	723	620	220	722	871	791	90	652	122
S750	1132	772	620	220	867	1014	932	90	773	127
S800	1077	810	620	220	807	956	875	90	713	111
S900	1158	910	620	220	892	1038	958	90	785	163
S1000	1304	1010	678	220	1034	1170	1102	120	888	164
S1050	1325	1077	1045	220	1055	1201	1121	176	937	155
S1200	1448	1210	1045	220	1190	1336	1254	176	1057	160

OFFICES - AUSTRALIA

NSW - Sydney
(Head Office)
Tel: +61 2 9898 8600
Fax: +61 2 9898 1877
QLD - Brisbane
Tel: +61 7 3299 9900
Fax: +61 7 3299 9911
VIC/TAS - Melbourne
Tel: +61 3 9879 5141
Fax: +61 3 9879 5143
WA - Perth
Tel: +61 8 9273 1900
Fax: +61 8 9273 1999

SA/NT - Adelaide
Tel: +61 8 8244 6000
Fax: +61 8 8244 6011
ACT Distribution
Tel: +61 2 6280 6476
Fax: +61 2 6239 1395

OFFICES - OVERSEAS

Waterco USA Inc
Tel: +1 623 434 4703
Fax: +1 623 434 4704
Waterco (Europe) Limited
Tel: +44 (0) 1795 521 733
Fax: +44 (0) 1795 522 085

Waterco (NZ) Limited
Tel: +64 9 525 7570
Fax: +64 9 525 6580
Waterco (Guangzhou) Limited
Tel: +8620 8335 1107
Fax: +8620 8335 1114
Waterco (Far East) Sdn. Bhd.
Tel: +60 3 6250 8169
Fax: +60 3 6250 8175

www.waterco.com

DISTRIBUTED BY:

