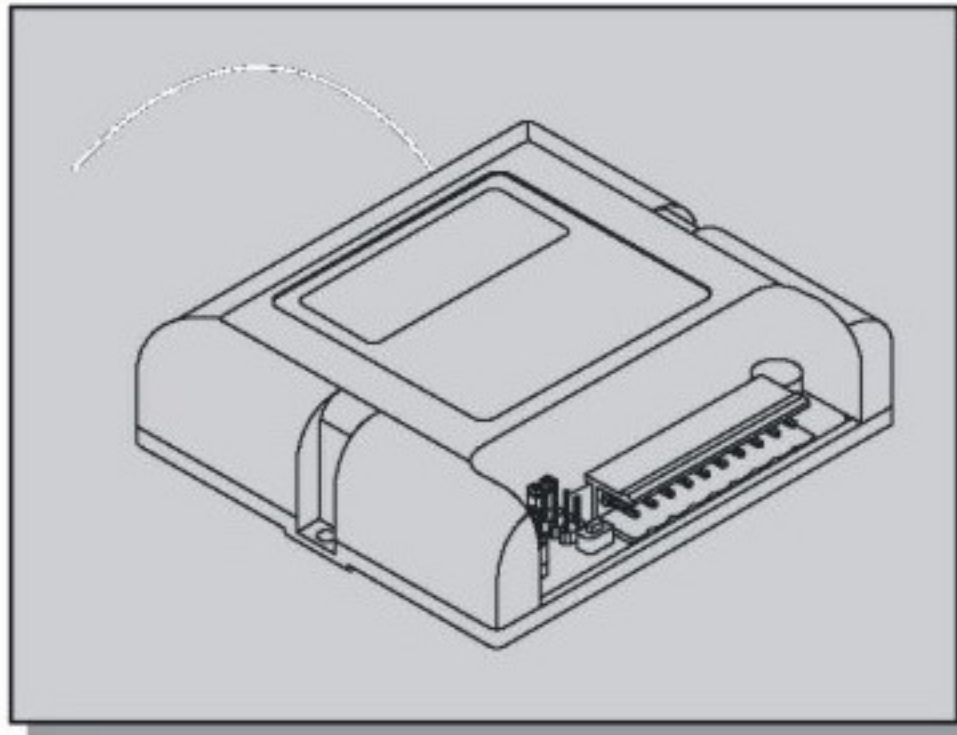
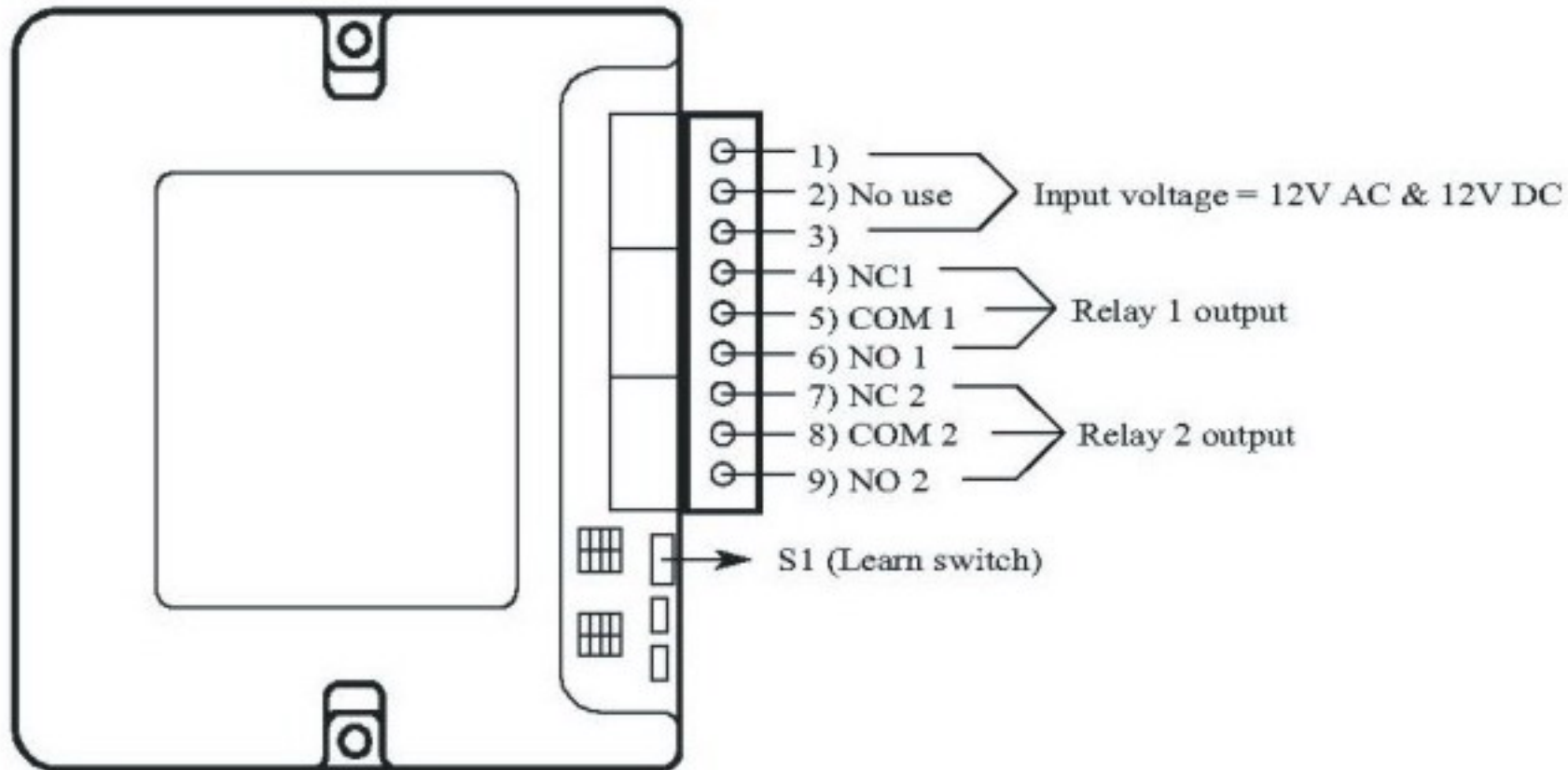


RECEIVER



- Easy to install
- Built-in receiver
- 2 Relay output
- selectable latch timing, 1, 3, 6, 9
- Remote Control
Fixed code: 28 transmitters
Rolling code: 6 transmitters



Model	Fixed code	Rolling code
ACV	12V	12V
DCV	12V	12V
Relay output	2	2
Channel	4	4
Receiver	Build-in	Build-in
Frequency	315MHz	315MHz
Learning code	Up to 6 transmitter	Up to 28 transmitter